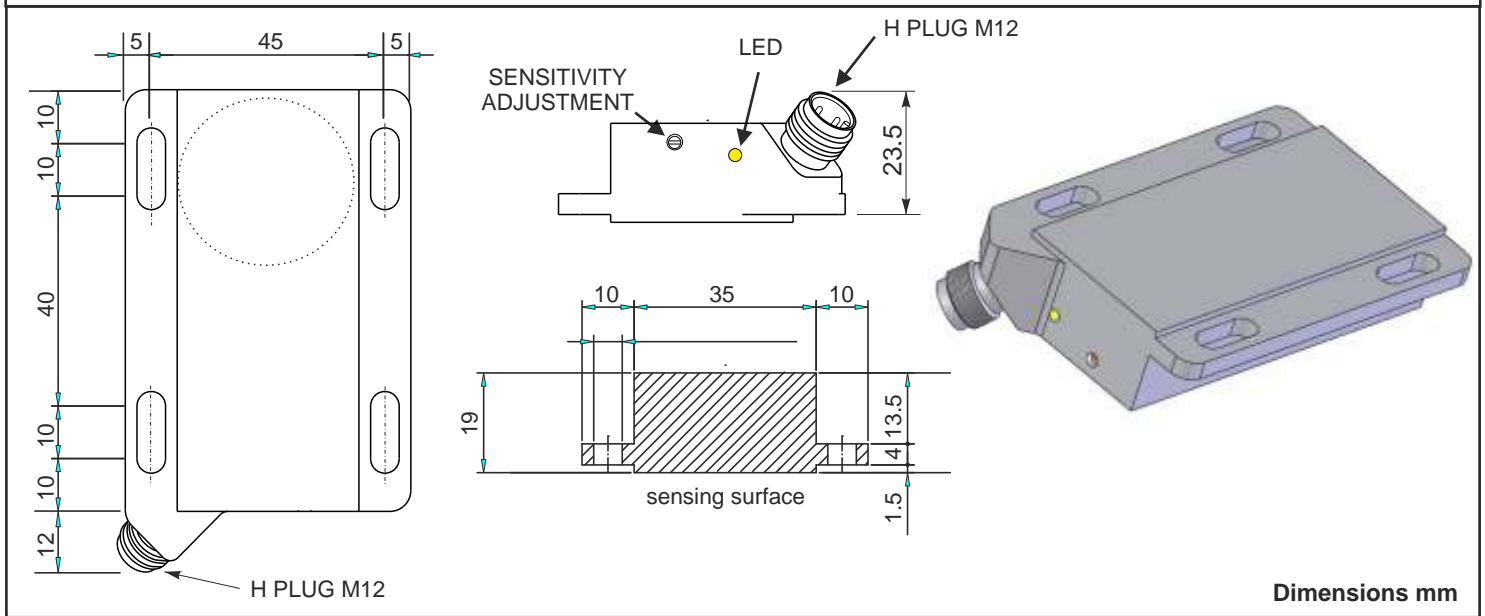


- PLASTIC PARALLELEPIPED HOUSING M30x1,5
- 4 WIRES D.C.
- IN CONFORMITY WITH: - Electromagnetic compatibility directive 2004/108 CE - Product norm EN60947-5-2



Dimensions mm

TECHNICAL CHARACTERISTICS	SCP-CE25 PNP NO+NC H CAL	
Switching distance (Sn) adjustable	mm	0 ÷ 25
Continuous voltage	V	10 ÷ 60 (absolute maximum ratings ripple included)
Hysteresis		≤ 20
Switching frequency	Hz	10
Repeatability (at constant temperature)	mm	≤ 5
Max output current	mA	300
Max absorption	mA	≤ 10
Voltage drop (output ON)	V	< 1.8
Short circuit protection		Incorporated
Led		Incorporated
Temperature limits	°C	-20 ÷ +70
IP rating	IP	67
Housing		Food plastic POM
Connection with connector		H plug (M12)

