

# METAL FACE INDUCTIVE SENSORS SMF12-C3 ■ ■ ■ series



- METALLIC CYLINDRICAL HOUSING M12x1
- AMPLIFIED 3 or 4 WIRES D.C.

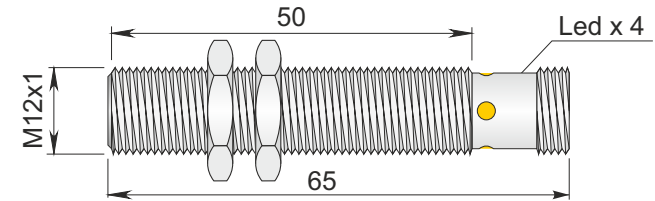
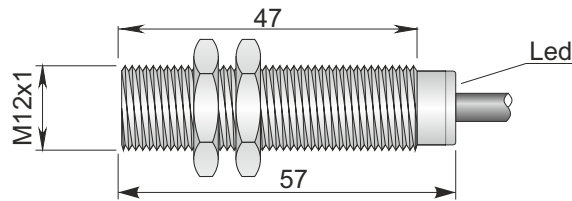
- OUTPUT FUNCTION NO or NC
- OUTPUT TYPE NPN, PNP o NPN+PNP

- IN CONFORMITY WITH: - PRODUCT NORM EN60947-5-2
- ELECTROMAGNETIC COMPATIBILITY DIRECTIVE 2014/30/UE



EMBEDDABLE

\* = on demand

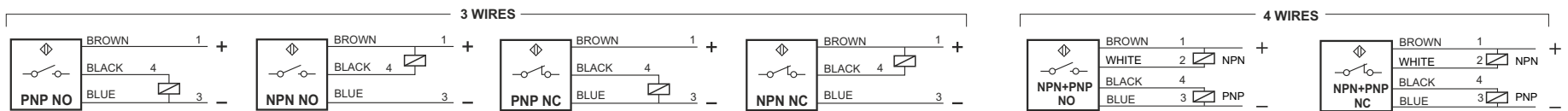


## TECHNICAL CHARACTERISTICS

		Dimensions mm		Dimensions mm	
AMPLIFIED 3 Wires D.C.	NPN	NO	SIM000001 - SMF12-C3 NPN NO (*)	-	SIM000007 - SMF12-C3 NPN NO H
		NC	SIM000004 - SMF12-C3 NPN NC (*)	-	SIM000008 - SMF12-C3 NPN NC H
	PNP	NO	SIM000009 - SMF12-C3 PNP NO (*)	-	SIM000015 - SMF12-C3 PNP NO H
		NC	SIM000012 - SMF12-C3 PNP NC (*)	-	SIM000016 - SMF12-C3 PNP NC H
AMPLIFIED 4 Wires D.C.	NPN+PNP	NO	-	SIM000017 - SMF12-C3 NPN+PNP NO	-
		NC	-	SIM000020 - SMF12-C3 NPN+PNP NC	-
Switching distance (Sn)		mm	3		
Continuous voltage (res. ripple ≤ 10%)		V	10 ÷ 30		
Hysteresis (%Sn)			< 20%		
Switching frequency		Hz	50		
Repeatability (at constant temperature)			≤ 1		
Output current (PNP+NPN)		mA	≤ 200		
Supply current		mA	≤ 2		
Voltage drop (output ON)		V	< 1.8		
Short circuit protection			Incorporated		
Led			Incorporated		
Operating temperature range		°C	-25 ÷ +70		
IP rating		IP	IP68 / IP69K		
Housing			AISI 316L		
PVC Cable		2mt	3x0,25 mm <sup>2</sup>	4x0,25 mm <sup>2</sup>	-
Connection with connector			-		H

## WIRING DIAGRAM

VIEW OF MALE CONNECTOR



N.B.: Upon request cable for sensors with different lengths 5 - 10m is available

CI322B - 02/16

# METAL FACE INDUCTIVE SENSORS SMF18-C5 ■ ■ ■ series



- METALLIC CYLINDRICAL HOUSING M18x1
- AMPLIFIED 3 or 4 WIRES D.C.

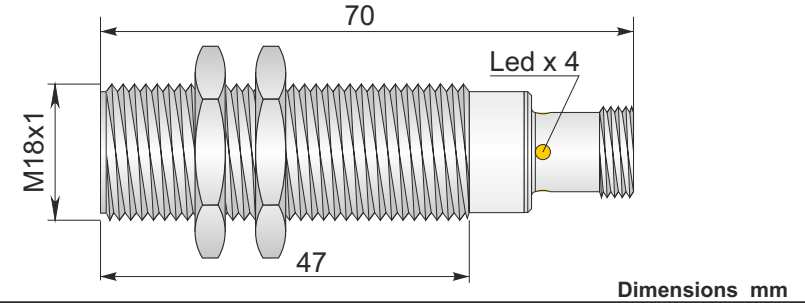
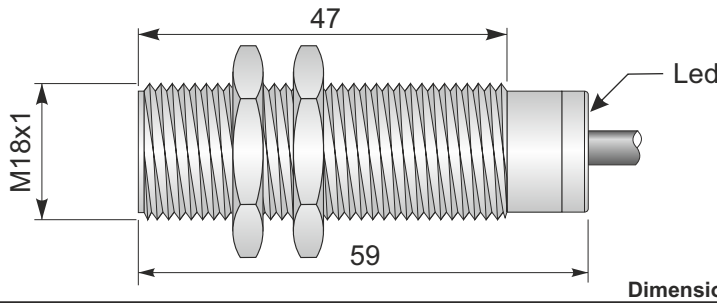
- OUTPUT FUNCTION NO or NC
- OUTPUT TYPE NPN, PNP o NPN+PNP

- IN CONFORMITY WITH: - PRODUCT NORM EN60947-5-2
- ELECTROMAGNETIC COMPATIBILITY DIRECTIVE 2014/30/UE



EMBEDDABLE

\* = on demand

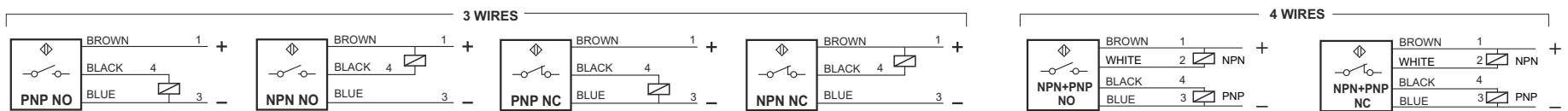


## TECHNICAL CHARACTERISTICS

		Dimensions mm				Dimensions mm	
AMPLIFIED 3 Wires D.C.	NPN	NO	SIM000037 - SMF18-C5 NPN NO (*)	-	SIM000043 - SMF18-C5 NPN NO H	-	
		NC	SIM000040 - SMF18-C5 NPN NC (*)	-	SIM000044 - SMF18-C5 NPN NC H	-	
	PNP	NO	SIM000045 - SMF18-C5 PNP NO (*)	-	SIM000051 - SMF18-C5 PNP NO H	-	
		NC	SIM000048 - SMF18-C5 PNP NC (*)	-	SIM000052 - SMF18-C5 PNP NC H	-	
AMPLIFIED 4 Wires D.C.	NPN+PNP	NO	-	SIM000053 - SMF18-C5 NPN+PNP NO	-	SIM000059 - SMF18-C5 NPN+PNP NO H (*)	
		NC	-	SIM000056 - SMF18-C5 NPN+PNP NC	-	SIM000060 - SMF18-C5 NPN+PNP NC H (*)	
Switching distance (Sn)	mm	5					
Continuous voltage (res. ripple ≤ 10%)	V	10 ÷ 30					
Hysteresis (%Sn)		< 20%					
Switching frequency	Hz	50					
Repeatability (at constant temperature)		≤ 1					
Output current (PNP+NPN)	mA	≤ 200					
Min. output current	mA	≤ 2					
Voltage drop (output ON)	V	< 1.8					
Short circuit protection		Incorporated					
Led		Incorporated					
Operating temperature range	°C	-25 ÷ +70					
IP rating	IP	IP68 / IP69K					
Housing		AISI 316L					
PVC Cable	2mt	3x0,25 mm <sup>2</sup>		4x0,25 mm <sup>2</sup>		-	
Connection with connector						H	

## WIRING DIAGRAM

VIEW OF MALE CONNECTOR



N.B. : Upon request cable for sensors with different lengths 5 - 10m is available

CI323B - 02/16

# SENSORI INDUTTIVI METAL FACE serie SMF30-C10 ■ ■ ■



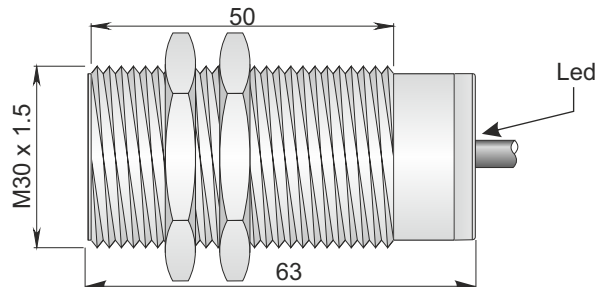
- CUSTODIA CILINDRICA METALLICA M30x1.5
- AMPLIFICATI 3 o 4 FILI C.C.
- FUNZIONE USCITA NO o NC
- TIPO DI USCITA NPN, PNP o NPN+PNP

- Conforme: - Direttiva Compatibilità Elettromagnetica 2014/30/UE
- Norma di Prodotto EN60947-5-2

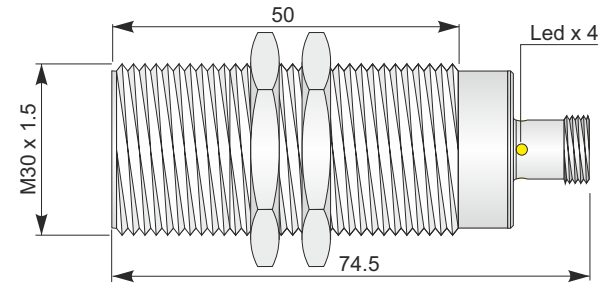


## TOTALMENTE SCHERMATI

\* = a richiesta



Dimensioni in mm



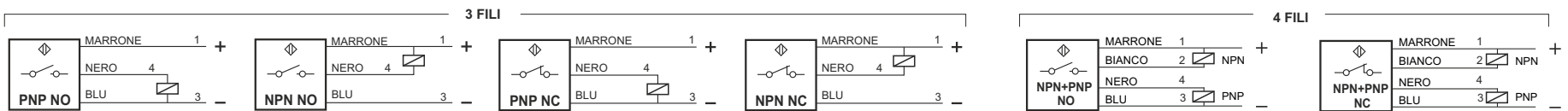
Dimensioni in mm

## CARATTERISTICHE TECNICHE

AMPLIFICATI 3 Fili C.C.	NPN	NO	SIM000073 - SMF30-C10 NPN NO (*)	-	SIM000079 - SMF30-C10 NPN NO H	-
		NC	SIM000076 - SMF30-C10 NPN NC (*)	-	SIM000080 - SMF30-C10 NPN NC H	-
AMPLIFICATI 4 Fili C.C.	PNP	NO	SIM000081 - SMF30-C10 PNP NO (*)	-	SIM000087 - SMF30-C10 PNP NO H	-
		NC	SIM000084 - SMF30-C10 PNP NC (*)	-	SIM000088 - SMF30-C10 PNP NC H	-
AMPLIFICATI 4 Fili C.C.	NPN+PNP	NO	-	SIM000089 - SMF30-C10 NPN+PNP NO	-	SIM000095 - SMF30-C10 NPN+PNP NO H (*)
		NC	-	SIM000092 - SMF30-C10 NPN+PNP NC	-	SIM000096 - SMF30-C10 NPN+PNP NC H (*)
Distanza di intervento (Sn)	mm	10				
Tensione continua (ond. res. ≤10%)	V	10 ÷ 30				
Isteresi (%Sn)		< 20%				
Frequenza max. di lavoro	Hz	50				
Ripetibilità (% di Sn)		≤ 1				
Corrente max. di uscita	mA	≤ 200				
Assorbimento a 24Vcc	mA	≤ 2				
Caduta di tensione (uscita attivata)	V	< 1.8				
Protezione al corto circuito		Presente				
Led visualizzatore		Presente				
Limiti di temperatura	°C	-25 ÷ +70				
Grado di protezione	IP	IP68 / IP69K				
Materiale custodia		AISI 316L				
Cavo PVC	2mt	3x0,25 mm <sup>2</sup>	4x0,25 mm <sup>2</sup>	-	-	-
Collegamento con connettore		-	-	-	-	H

## SCHEMI DI COLLEGAMENTO

### VISTA DEL CONNETTORE MASCHIO



N.B.: A richiesta è possibile ordinare i sensori con cavi di lunghezza 5 - 10m.

CI324B - 02/16